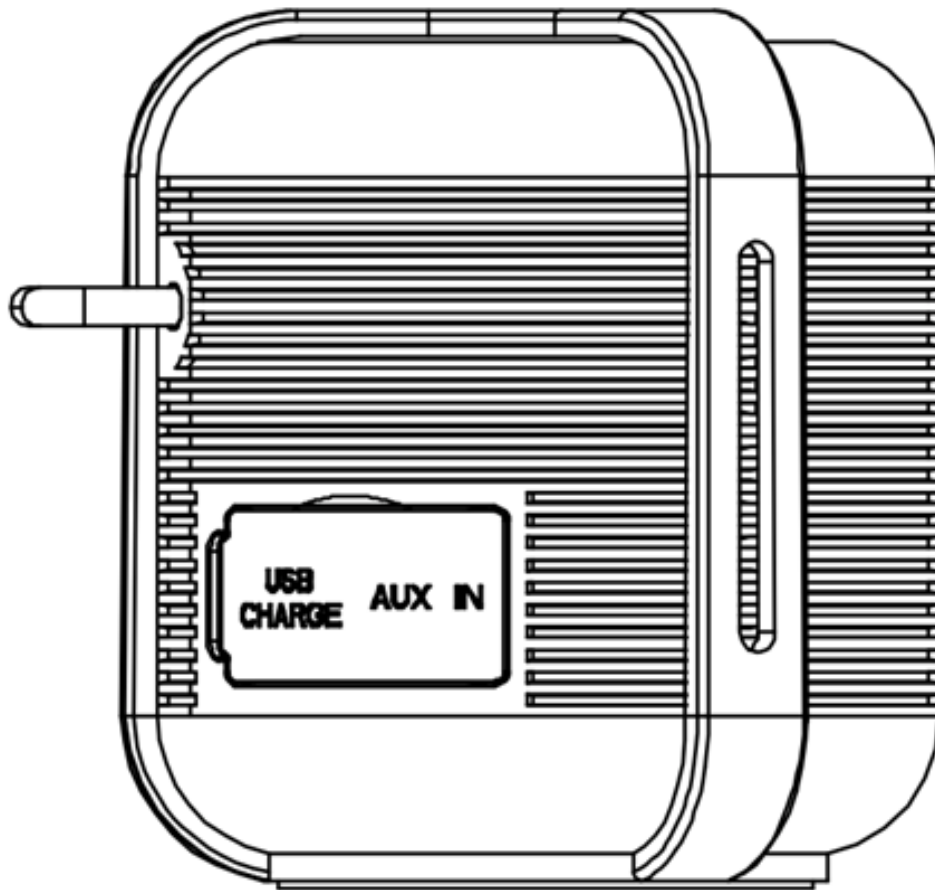


iBright

USER MANUAL

Mini Outdoor Speaker IPX7



Please read the manual carefully before use
and keep for further reference.

Safety Instructions

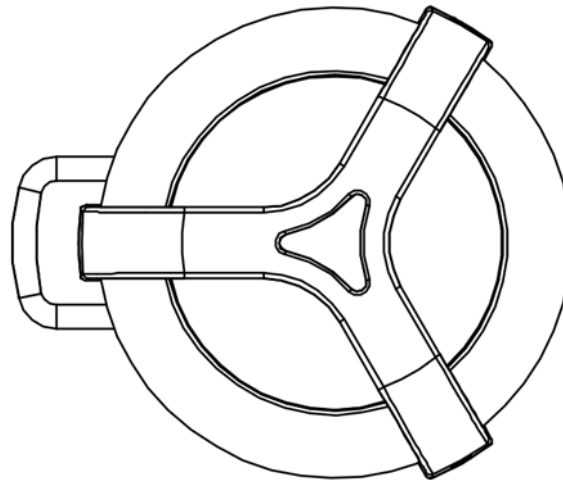
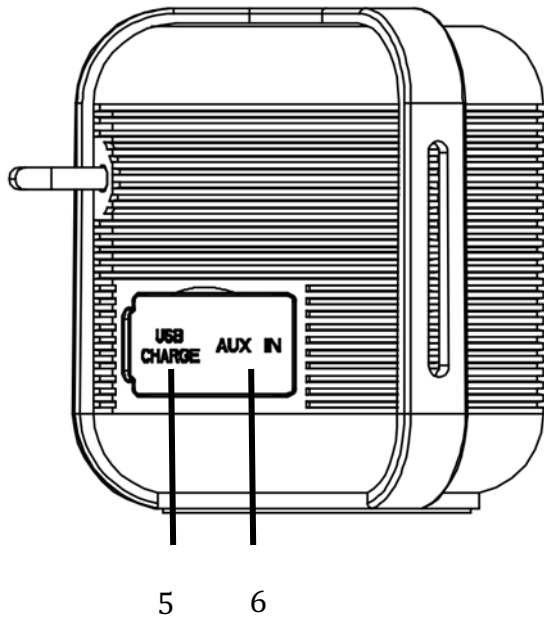
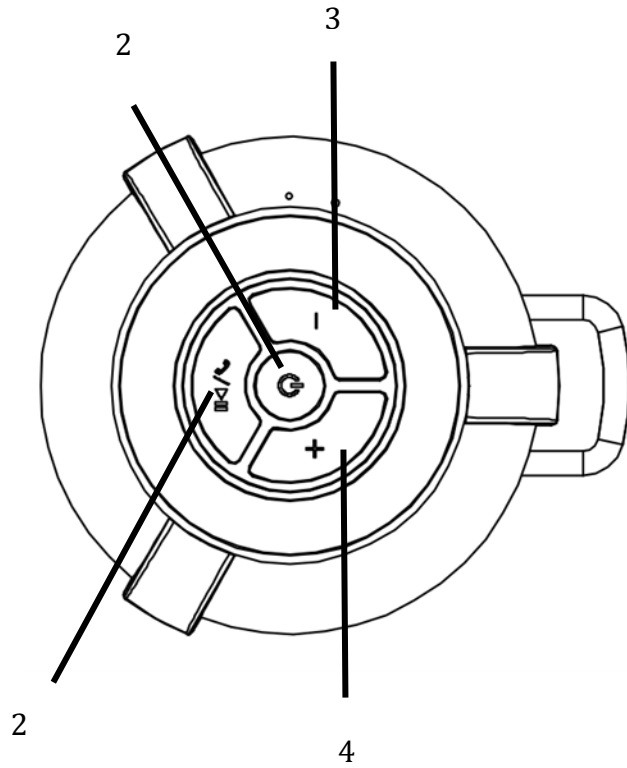
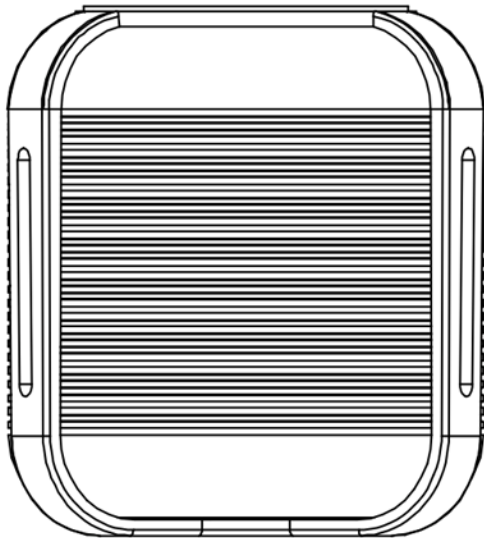
Important safety instructions. Read carefully and keep for future reference.

- Read this user guide carefully before first use. It contains important safety information as well as instructions for the use and care of the device.
- To avoid dangerous situations, do not use device for any purpose other than those described in the instructions. Improper use is dangerous and voids the warranty.
- The speaker is not a toy. We recommend supervision with children to ensure safe use.
- The rechargeable battery is permanently built into the product and cannot be replaced. Damaging the casing of the rechargeable battery may cause an explosion/fire.
- Never expose rechargeable batteries to excessive heat (e.g. bright sun, fire, heater). The rechargeable batteries could explode.
- Never short-circuit the contacts of the rechargeable battery.
- Charge the rechargeable battery regularly, even if you are not using the product.
- Ensure no objects or liquids penetrate through openings into the housing.
- Never immerse electric parts of the product in water or other liquids while cleaning or using it. Never place the product under running water.
- Do not place the product in the vicinity of devices producing strong magnetic fields (for example motors, loudspeakers, transformers).
- The product may not function properly or not react to the operation of any control due to electrostatic discharge. Switch off and disconnect the product; reconnect/switch on after a few seconds.
- If the product shows damage, do not use. Either have it repaired by a qualified technician, or contact our customer service department. Do not disassemble the product, and do not try to repair it yourself.

Technical Specifications

Bluetooth	V5.0, 10m wireless distance
Rating	IPX7
Power Output	3W
Playtime	Up to 10 hours
Charge time	2.5 hours
Input	DC5V/500mA
Battery Capacity	3.7V/800mAh
Speaker Driver Unit	1.75' x1
Port	Micro USB charge; Aux in

PRODUCT OVERVIEW



- 1. Power On/Off
- 2. Play/ Pause/ Handsfree
- 3. Previous/Volume-

- 4. Next/Volume+
- 5. AUX Port
- 6. USB charge port

In the Box

1 x Mini Outdoor Bluetooth Speaker
1 x Micro USB Cable

1 x Carabiner
1 x User Manual

1. Charge outdoor speaker

1. Connect speaker to a PC/Laptop/Mac or any 5V USB adaptor with the USB cable included.

2. The red LED will flash when charging, and turn off when fully charged.

3. Unplug the USB cable when fully charged.

Note: The red LED will flash and make a sound when the battery power is low (<21%).

2. Pairing with Bluetooth enabled devices (Mobile phones/Tablets etc.)

1. Keep the speaker and device within 10 metres of each other.

2. Hold down the power button for 3 seconds to turn on the speaker, the LED indicator will blink quickly while the speaker enters search mode.

3. Start the Bluetooth function on your mobile device and look for "iBright687" in the Bluetooth device list.

4. After successfully connecting, the LED will change to solid blue and play music.

Note:

1. If the pairing was not successful, turn off the speaker and re-pair again.
2. After successful pairing, paired devices will remember each other so there is no need to pair again unless pairing information is deleted.
3. To pair with a new device, just follow steps 1-4 above after UN-pairing the existing device.

3. Re-connecting to a paired device

If the speaker does not connect to the last used device automatically, then you will need to select it manually from the list of devices on your mobile device.

4. Pair iBright speaker with a different device

First disconnect with existing device by either long pressing the PLAY/PAUSE button or switching off Bluetooth connection of the existing device, and then pair with other device following the above steps 1-4 .

5. Hands-free phone calls

1. Make sure mobile phone is paired to speaker
2. Press the HANDSFREE button to answer an incoming phone call.

2. Press HANDSFREE button again to end a call.
3. Use the Volume +/- buttons to change the volume of the call.

6. Play/Pause

1. When speaker is playing music, short press the PLAY/PAUSE button to pause.
2. Press the PLAY/PAUSE button again to continue play.

7. Volume +/- and Previous/Next Song

1. Control volume via the Bluetooth device itself.
2. Short press the +/- buttons to increase/decrease volume.
3. Long press the +/- buttons to go to Next or Previous track.
4. There is prompt music when volume is at max or min.

8. TWS (True Wireless Stereo) Function: to pair one mobile phone with 2 speakers together

1. Make sure you have 2 x iBright Mini Outdoor Speakers ready.

(i) Turn on both speakers together, then quickly double click "POWER" button of either one. Both speakers will start to enter pairing mode.

(ii) Wait for around 10 seconds until two speakers "beep" once in sequence, then both LED turn to constant light (the host-speaker in constant blue, and sub-speaker in constant red) = speakers successfully paired together.

(iii) Once paired, activate Bluetooth function of your device and pair with Bluetooth name iBright687. Enjoy surround sound music in TWS from two speakers simultaneously.

Notes

1. You can only enjoy TWS function when you have 2 x iBright Mini Outdoor Speakers. They can be in same or different colours. Just need to be same model.

2. If you want to disconnect existing TWS connection, double click "POWER" button of either speaker, the sub-speaker will disconnect, the host speaker will keep playing music.

3. If you want to establish TWS connection with 2nd speaker after your device connected with one speaker already, please long press Bluetooth button to disconnect from your existing paired device, then follow above steps 1-3.

9. Connecting external devices (AUX port)

You can connect any music device to the iBright Mini Outdoor Speaker via the AUX port using the AUX cable. The Bluetooth will not functional while connected with the AUX cable.

Disposal



— If you need to dispose this product DO NOT place in general rubbish/household waste. Please dispose of any electronic goods as recommended by your local council. For further information, please contact your local council for recycling advice/disposal of electronic waste guidelines.

Distributed by K2 Sales Pty Ltd PO Box 696 Black Rock Vic. 3193

www.iBright.com.au

Mini Outdoor Speaker IPX7

