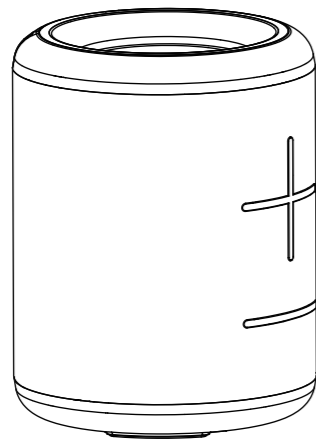


# iBright



## USER MANUAL MiniGlo Speaker M9

Please read the manual carefully before use, and store for future reference.

### IMPORTANT SAFETY INSTRUCTIONS

Keep the unit away from high temperature exposure. Do not place near naked flame or heat. Do not disassemble, modify or attempt to repair the unit.

### Ventilation

Allow at least a 10 cm gap all around the product. Do not cover ventilation openings. (For example, newspapers, fabric etc.)

This appliance is intended for domestic household use only.

### Symbol



V @ A A \* \* j a e i ' / B i ( ) j a e & N A a V A @ . • A c a a C a A i l a ' & o h A  
ã ß ( ) j a e & N A a C A E . c a a a A u c a a a a A E U P Z U A I F i E a e a A  
C U B Z G I F i E a e a A a e A A ' ] ] I A @ A E . c a a a A  
{ a v ^ e

### SPECIFICATIONS

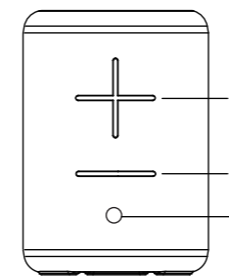
DC input: 5 V  $\equiv$  1000mA  
Rechargeable battery: 3.7V  $\equiv$  2000mAh  
Speaker power (RMS): 6 W x 2  
Frequency range: 2.402GHz – 2.480GHz  
Output power: < 20 dBm

### Package Contents

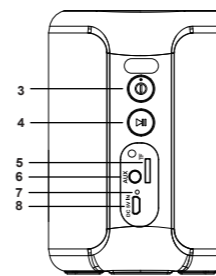
- Rechargeable Speaker
- Micro USB Charge cable
- User guide

### Product Description

Product Front



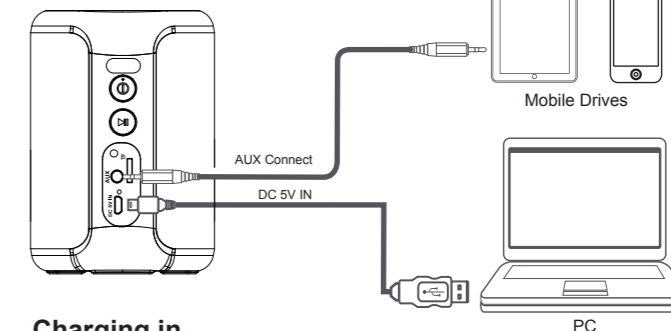
Product back



1. Press **+** Button for volume up, long press for next song.
2. Press **-** Button for volume down, long press for previous song.
3. Power on/off & audio mode (long press the button for power on/off, short press button for mode select).
4. Press to Play/Pause. Long press to disconnect Bluetooth.
5. Micro SD play Jack.
6. AUX Input Jack.
7. Charge LED indicator. Red LED indicates the unit is charging and not full. Red LED will turn off when fully charged.
8. Charge in jack.
9. LED Function Indicator - Located on the front of speaker.  
Bluetooth mode: Search Status: White LED flashes quickly.  
Successful pairing: White lights flashes slowly.  
AUX in mode : White LED light stays on.  
USB play mode: White LED light flashes quickly twice and stops once.  
Mute : White light slowly flashes.

### Charging The Battery

Product back



### Charging in

1. Use the included USB charge cable. Plug one end into the DC 5V jack located at the side of the unit. Plug the other end into a USB powered port or any other USB AC adapter (not included).
2. The battery is fully charged in 3 hours. Note: Charge time will be longer if playing music whilst charging.
3. The red LED light indicates the unit is charging. The red LED turns off when the battery is fully charged. You can disconnect the charge cable when charging is complete.

### Light Control :

Hold the "O" Button to turn on the unit. Press the "O" button to change to different light mode. Please connect Bluetooth, plug SD card or Aux play for multi-mode light control features.

### AUX Play Mode

- 1: Hold the **O** button to turn on the unit.
2. Plug one end of 3.5mm audio cable into the headphone or line-out jack of your audio device. Plug opposite end of cable into the AUX jack located on the side of the speaker. Speaker enters Aux in mode automatically. White LED will stay on.
3. Adjust the volume of your audio device to the desired level.
4. Press the **+** or **-** button on the speaker to adjust the volume.
5. Press **▶|** button at the same time to MUTE the volume.

### Bluetooth Play Mode

If you are using a Bluetooth audio device, make sure the working distance is within 20 - 30 ft (10m). A different environment may affect the working distance.

1. Press and hold **O** button to turn ON the unit. The unit will make a beeping sound to indicate it is in Bluetooth mode. White LED will flash quickly.
2. Turn on the Bluetooth on your audio device .
- 3: Searching Devices Choose " M9 ". No password is required. If your device does require a password, type "0000"
4. Adjust the volume on your audio device to the desired level.
5. Press the **+** or **-** button on the speaker to change the volume.
6. Hold the **+** or **-** button on the speaker to change to Previous/ Next song
- 7: Press **▶|** Button at the same time to pause/play music.

**NOTE :** The speaker will power off automatically after 30mins if you don't operate it or play music.

### SD Play Mode

- 1: Hold the **O** button to turn on the speaker.
2. Plug your Micro SD to the SD port on the side of the speaker. The speaker will enter SD play mode automatically .
3. Press the **+** / **-** button on the speaker to change the volume.
- 4: Press the **▶|** button to pause/play music.

### TWS Stereo pairing function

1. Turn on both speakers. Pair one unit with your device.
2. Quickly press the **O** button twice to enter stereo pairing mode. A white LED will flash quickly
3. When both units are paired, one speaker displays white LED on, the other unit displays white LED flashing.
4. Searching Devices choose "M9" .
5. Play the music from your device and both speakers will provide you with stereo sound.

### TROUBLESHOOTING

Problem	What to do
No power	Enssure your speaker is turned on and is completely charged.
No sound	<ul style="list-style-type: none"> <li>• Ensure the volume of your speaker is not at the minimum setting.</li> <li>• Ensure the connected audio device is playing audio.</li> </ul>
Sound is distorted.	Turn down the volume of the speaker or the connected device.

Cannot pair the speaker with my Bluetooth device	<ul style="list-style-type: none"> <li>• Ensure the Bluetooth mode of your device is turned on.</li> <li>• Your Bluetooth device may be out of range. Try moving it closer to the speaker.</li> <li>• Move your Bluetooth device and/or the speaker away from other devices that generate electromagnetic interference such as phones, microwave oven, wireless network routers or other Bluetooth devices.</li> </ul>
--	--



**To prevent the possibility of the battery leaking, over-heating, fire, please observe the following cautions:**

### Warnings

- 1: Please use included USB charging cable in the package to charge unit
- 2: Please disconnect charge cable after unit fully charged. Do not charge the speaker for extended/lengthy time after unit is fully charged.
3. Do not use product in a location where static electricity is great. Safety devices may be damaged.
4. The product should be stored at room temperature, and charged to about 30% to 50% of capacity. If not in use for extended amount of time, we recommend fully charging the unit every few months to maintain batteries.

### IPX7 Rating Note:

1. The speaker can be submerged in 1 metre of water for up to 30 minutes\*.
- \*NOTE:
- (i) Avoid water which may be corrosive.
  - (ii) Avoid high pressure water.
  - (iii) Ensure the silicone cover on the side of the speaker is fully closed before placing in water. It must be 100% sealed.
  - (iv) All the accessories are not waterproof. Only use the accessories (ie. Charge cable) in a dry environment, away from water.

### Safe Disposal:



Disposal: O [ A [ a a ] [ ^ A ^ & d ] a A a e a e [ A e ] ^ a [ a A  
i' a a a @ O @ & A [ : A [ & a a ( ' ) & a A ^ a ^ a  
{ : A E a e A ^ & & a ^ A : A a ] [ ^ a h A [ : A e ^ a e

Distributed by K2 Sales Pty Ltd. PO Box 696 Black Rock, Vic. 3193

[www.iBright.com.au](http://www.iBright.com.au) | Join Us on our Socials @iBrightAu