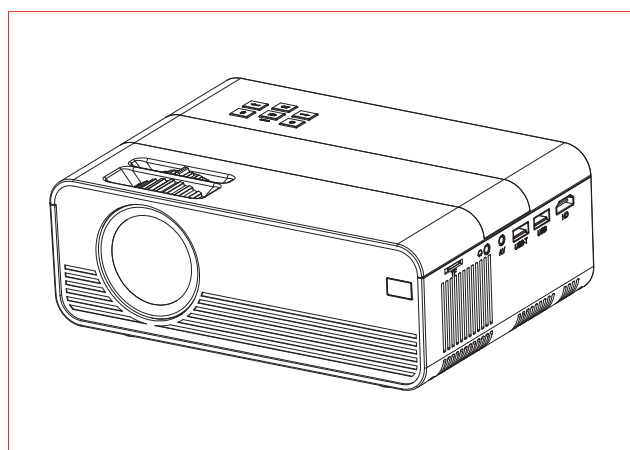


iBright 720P Projector
User Manual



Features

- Native 720P Mini projector with multimedia player
- Projection size from 27" to 150"
- Integrated 3Watt speaker
- Manual focus adjustment
- Long LED lifetime 40,000 hours
- Connects to Computer/Notebook, Tablet, Smartphone and Gaming consoles via AV, VGA, or HDMI
- Playback of Video, Photo and Audio Files from USB, MicroSD or external hard disk
- Remote Control included

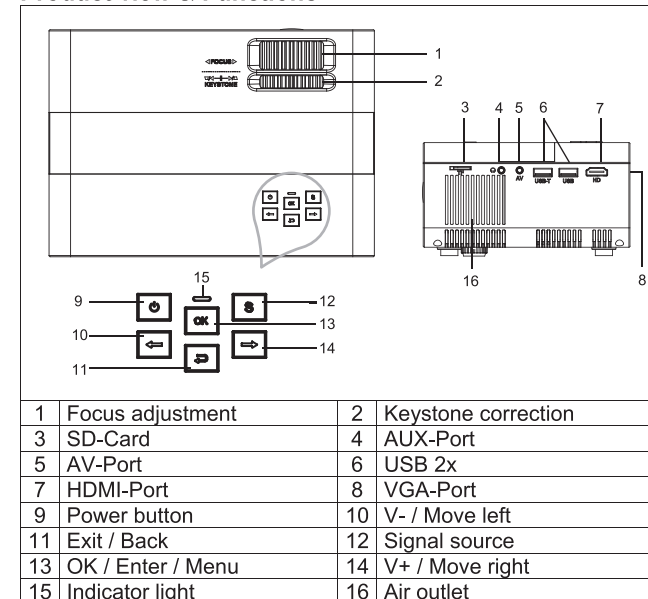
1

Technical specifications

Projection technic	LCD TFT projection system / low noise / low light leaking
Lens	Multichip composite coating optical lens
Power supply	AC ~100V-240V 50/60Hz
Projection size / distance	27"-150" / 0.8-3.8m
Projector consumption / brightness	56W / 2000 Lumen
Contrast ration / Display colours	1000:1 / 16.7M
Lamp colour temperature / lifetime	9000K / 40000 hours
Correction	Optical ±15°
Using time	~24 hours continuously
Audio frequency	3W
Fan noise	Max. 51dB
Signal ports	AV input (1. OVp-p ±1-5%) VGA input (800x600@60Hz, 1024x768@60Hz) HDMI input (480i, 480p, 576i, 720p, 1080i, 1080p) Headphone Output
Native resolution	1280x720 pixel
USB / MicroSD card / ext. hard disk format	Video: MPEG1, MPEG2, MPEG4, RM, AVI, RMVB, MOV, MKV, DIVX, VOB, M-JPEG Music: WMA, MP3, M4A(AAC) Photo: JPEG, BMP, PNG
USB / MicroSD card External hard disk	max. 128GB / max. 128GB max. 500GB
Weight / Dimensions	1250g / (L) 21 x (W) 14.5 x (H) 7.5cm
Packing contents	1x AV signal cable, 1x Remote control, 1x HDMI cable, 1x Power cable, User Manual
Compatible devices	Digital camera, TV-Box, PC/Notebook, Smartphone, Game console, USB-Device / MicroSD card, external hard disk, Amplifier.

2

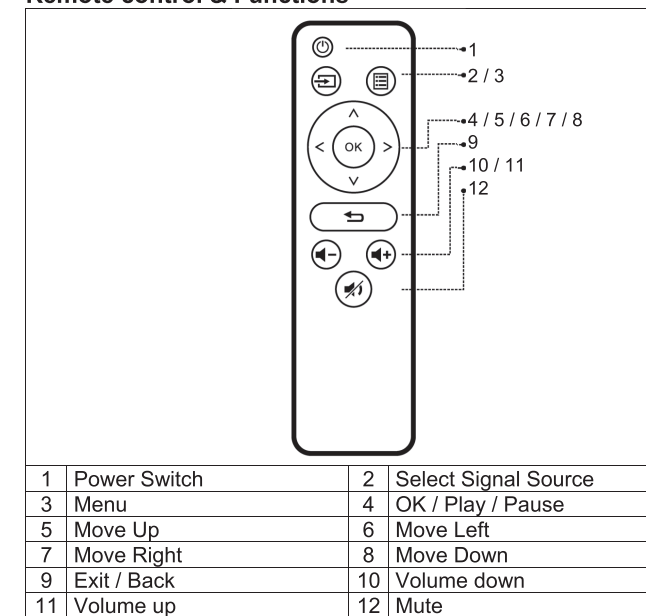
Product view & Functions



Power button: Press this button to turn the device on/off.
Volume plus and minus button: Press the two buttons to increase or decrease volume. They can also be used in the menu as selection and parameter adjustment.
Menu: Bring up the main menu or exit system.
Signal source: Select the signal or an external video signal. It is also usable as "play" button.
Air outlet: Do not cover the air-cooling openings during operation to avoid burns.

3

Remote control & Functions



→ To avoid blocking the signal between the remote control and remote-control receiving host window, keep signal path clear of items.
 → Point the remote control to the right side of the device or the projection screen, to receive the infrared radiation.
 → To prevent battery leakage corrosion in the remote control, remove the battery when not in use.
 → Do not put the remote control in high temperature or damp places, in order to avoid damage.

4

Power on / Power off

After the device gets power through the power cable, it goes into stand-by status:
 → Press the **POWER** button on the device or on remote control to turn on the device.
 → Press the **POWER** button again to turn off the device.
 → Pressing the **POWER** button once again can shut down the engine power. TX-127 will stay in standby as long as it is connected with the power socket. If you do not use the device for a long time, remove the power cord from the power socket.

• Select the **⚙️** (Gear) icon on the device interface or press the **MENU** button on the remote control to show the **MENU** screen.
 → Select with the remote control move buttons or the **◀ ▶** buttons on the projector the menu item you need to adjust and confirm with **OK**.
 → Press the remote control move buttons or the **◀ ▶** buttons, to adjust the parameter values for the selected menu item.
 → Repeat the steps to regulate other **MENU** items, or directly click **BACK** or **EXIT** button to **EXIT** a single interface.

Multimedia boot screen

When the projector starts working, the screen display takes approx. 5 seconds to come into the multimedia screen.

Image focus

Put the device vertical to the projector screen or white wall. Adjust the focus with the focus adjustment wheel (1) until the image is clear enough. Then the focus is finished. During the focusing, you could display a video or display the menu to check the adjustment.

Keystone

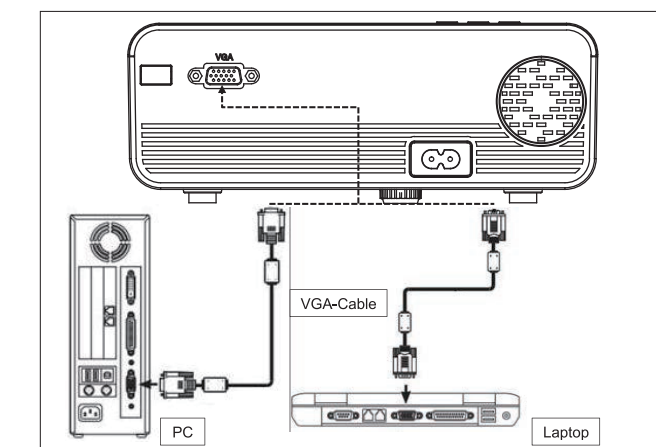
Sometimes, the image projected on the wall looks like a trapezoid rather than a square, causing distortion that needs to be avoided. You can adjust it with the keystone correction wheel (2).

The device does not have horizontal keystone correction function.

5

Multimedia connection

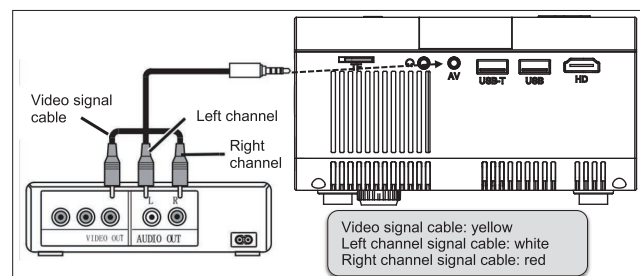
VGA input socket: the port can be connected to a computer or other VGA video signal output socket. Refer to the following:



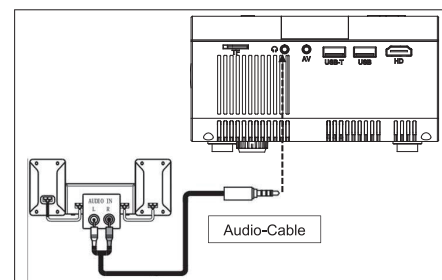
NOTE: The device and connection of laptop may not be able to display images at the same time. If that happens, set the computer display attributes, select CRT output mode.

Video input socket: from now on the interface can be connected to the LD player, DVD players, video cameras and video player (VIDEO) or audio output socket.

6

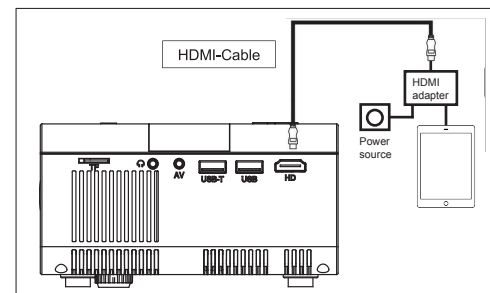


Audio output: Audio signal from the output port of the device, if you want to high power play music input end connected to external power amplifier.



HDMI signal input: this interface can be used with HD players. You have to connect the supplied HDMI cable from your player to the device.

7



Connecting Smart device to Projector (via HDMI adapter & HDMI cable)

- 1.Ensure projector is connected ie. plugged into power source (via black power cord).
- 2.Take the HDMI cable (white) and plug it into the HDMI adapter (HDMI output port).
3. Plug the opposite end of HDMI cable into the projector (HDMI input port).
4. Next, connect HDMI adapter to your smart device (eg mobile phone, tablet etc) using your own compatible cable.
5. To power the HDMI adapter, plug your own connector cable into the HDMI adapter and plug into a wall charger. Note: the projector will not work if HDMI adapter has no power. Ensure power source is turned on.
- 6.Finally using the projectors source input button, scroll and select "HDMI" as the input on the screen. You can then project from your smart device into your projector, and onto your wall.

Note: if you have a chromecast, you can plug it straight into the HDMI slot on the projector, connect to power, and then chromecast from your smart device.

8

Operation

Input source selection

→ Selecting an input signal from the device: (Check that the correct signal cable is connected).
 → Press the **S** button on the device or the **SOURCE** button on the remote control to display the right interface.
 → → Confirm whether correctly connected to the signal cable press **◀ ▶** buttons on the device or on the remote control to select the following input PC, AV, HDMI, SD and USB. Choose your needed input signal with the **OK** button.

Manually operation

Select the menu language

→ Select the **⚙️** (Gear) icon on the device interface or press the **MENU** button on the remote control to enter the **MENU**.
 → Press the **◀ ▶** button to go to **OPTIONS**.
 → → Press the **OK** button on the device or on the remote control to enter the language option.
 → → Press the **◀ ▶** buttons, to select the language you need and then press the **Back** button to accept Settings and exit.

Image mode

→ Select the **⚙️** (Gear) icon on the device interface or press the **MENU** button on the remote control to enter the **MENU**.
 → Press the **OK** button to enter the **PICTURE** settings. Now you can choose with the **◀ ▶** buttons between **STANDARD**, **SOFT**,

9

VIVID and **USER** mode. Press the **BACK** button on the device or the **MENU** button on the remote control to exit the **PICTURE** settings.
 → → After complete the adjustment, press the **BACK** button on the device or the **MENU** button on the remote control to save settings and exit.

Colour temperature

→ Press the **▶** button to go to the **COLOR TEMPERATURE** settings. Now press the **OK** button to enter the **COLOR TEMPERATURE** settings.
 → → Press the **◀ ▶** buttons, to choose the settings you need to adjust and then press the buttons **◀ ▶** to adjust the values of the parameters of the options (Medium → Warm → User → Cool).
 → → Press the **BACK** button on the device or the **MENU** button on the remote control to save settings and exit.

Aspect Ratio

→ Press the **▶** button to go to the **ASPECT RATIO** settings. Now press the **OK** button to enter the **ASPECT RATIO** settings.
 → → Press the **◀ ▶** buttons to choose the parameters. You can choose between **AUTO**, **16:9** and **4:3**. Now press the **OK** button to select the setting you need.
 → → Press the **BACK** button on the device or the **MENU** button on the remote control to save the settings and exit.

Image projection mode

Image flip → Select the **⚙️** (Gear) icon on the device interface or press the **MENU** button on the remote. Press **◀ ▶** to reach projection mode. Press the **OK** button to rotate the image as you need it.

Noise cancel

→ Press the **◀ ▶** buttons, to go to the **NOISE REDUCTION** settings. Then press the **OK** button to enter the **NOISE REDUCTION** settings.
 → → Press the **◀ ▶** buttons, to select the level of noise reduction, and then press the **BACK** button on the device or the **MENU** button on the remote control to save the settings and exit.

10

Mute

→ Press the mute button on the remote to mute the sound. Press again mute to reactivate the sound.

Sound

→ Select the **⚙️** (Gear) icon on the device interface or press the **MENU** button on the remote control to enter the **MENU**.
 → → Press the **▶** button to go to **THREAT DUND** settings.
 → → Press the **◀ ▶** buttons to choose the items you need to adjust and then press the **◀ ▶** buttons to adjust the values of the single items. Possible options are: **Movie / Sports / User / Standard / Music**. Press the **BACK** button on the device or the **MENU** button on the remote control to confirm and exit.

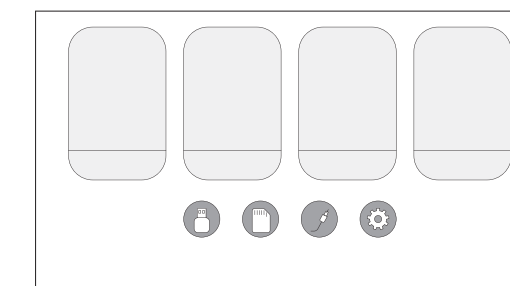
Multimedia supported format from USB or MicroSD

Audio file: MP3 / WMA / ASF / OGG / AAC / WAV
Picture file: JPEG / BMP / PNG
Video file: 3GP (H.263, MPEG4) / AVI (XVID, DIVX, H.264) / MKV (XVID, H.264, DIVX) / FLV (FLV1) / MOV (H.264) / MP4 (MPEG4, AVC) / MEP (MPEG1) VOB (MPEG2) / MPG (MPG-PS) / RMVB(RV40)/RM

Note: Due to the copyright issue of Dolby, this projector does **NOT** support Dolby audio decoding. Dolby audio files can be played via HDMI connected devices.

11

Choose the content which you need to display: Video, Music, Photo, Text.



The projector supports **HDMI, MHL, FireTV, Google chromecast** and **iPush** connection. You can also connect your mobile devices and tablets with it.

- To connect the projector with tablet or smart phone, you need an **HDMI adapter**. For **Android** phone which supports **MHL**, you need an **MHL to HDMI cable**; for **iPhone/iPad**, you need a **lightning (Lightning Digital AV Adapter) to HDMI adapter cable**.
- To connect the projector with **PC/Notebook**, adjust the **PC/Notebook** display resolution to **1280x720**, which can provide the best clarity.
- Note that it only provides clear image in dark room.

12